

ELEVATIONS IN FEET  
DIMENSIONS IN METRES

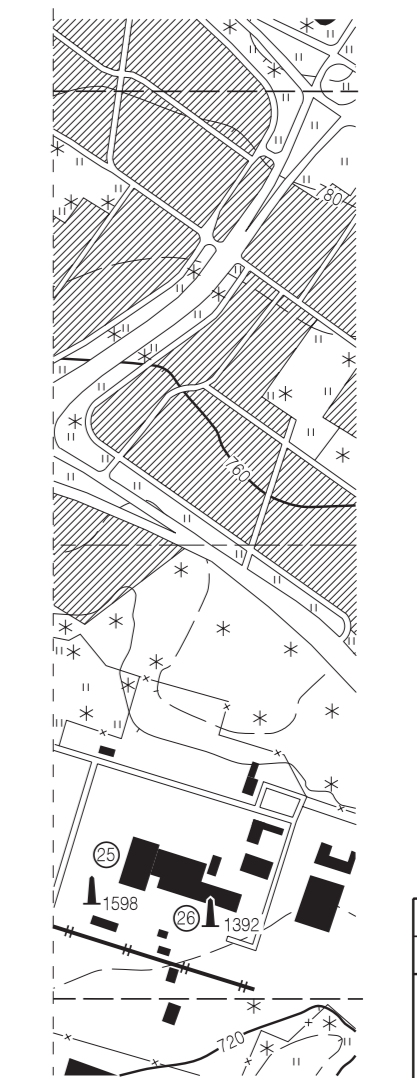
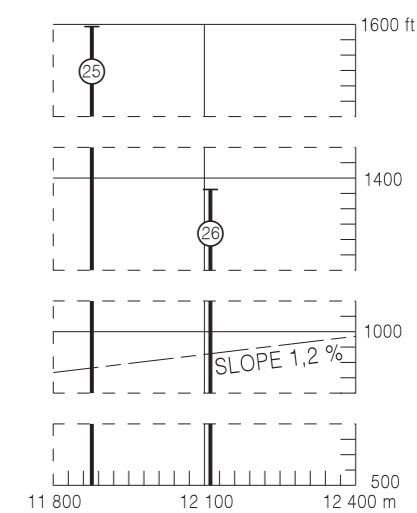
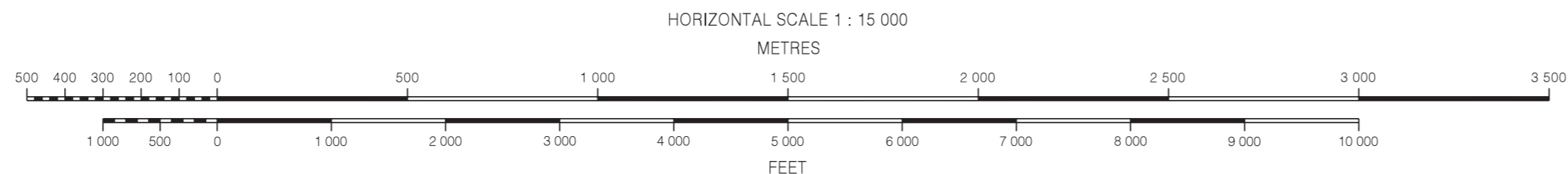
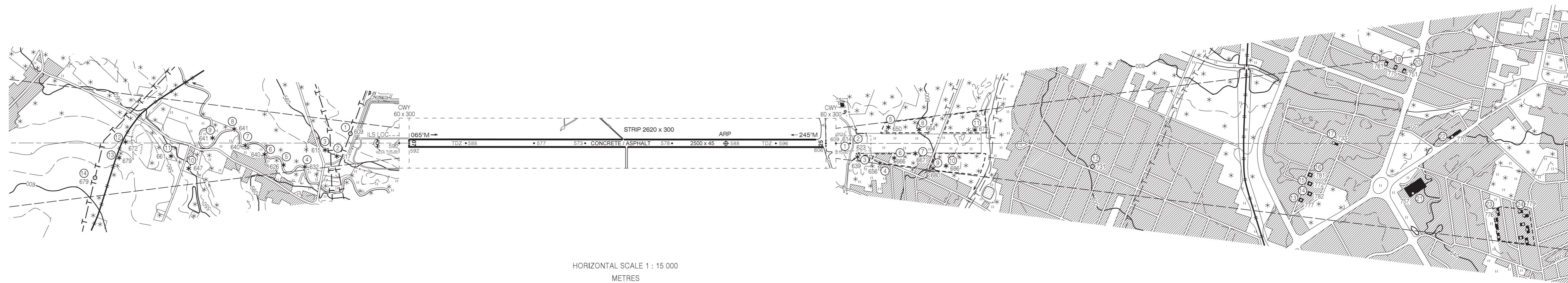
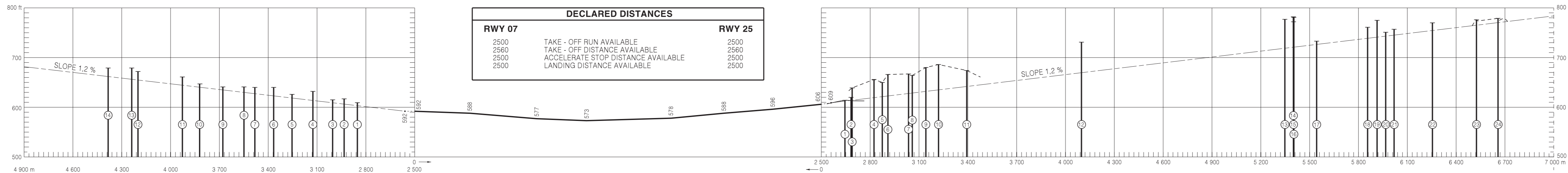
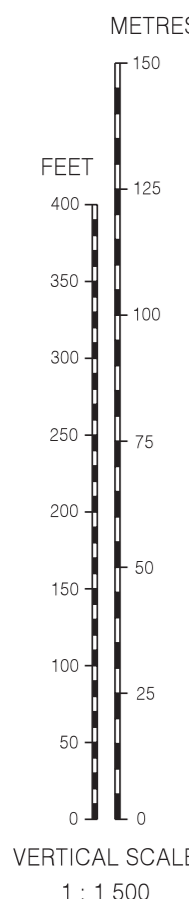
**AERODROME OBSTACLE CHART - ICAO**  
TYPE A (OPERATING LIMITATIONS)

**Łódź - Lublinek**  
**RWY 07 / 25**

MAGNETIC VARIATION 6° E 2016

**RWY 07 - 25**

DECLARED DISTANCES		
RWY 07		RWY 25
2500	TAKE - OFF RUN AVAILABLE	2500
2560	TAKE - OFF DISTANCE AVAILABLE	2560
2500	ACCELERATE STOP DISTANCE AVAILABLE	2500
2500	LANDING DISTANCE AVAILABLE	2500



LEGEND	
IDENTIFICATION NUMBER	①
ELEVATION	614
POLE, TOWER, SPIRE, ANTENNA, ETC.	○
TREE OR SHRUB	*
POWER PLANT CHIMNEY	⌚
RAILROAD TWO OR MORE TRACKS	—+—+—+—
TRANSMISSION LINE OR OVERHEAD CABLE	—T—T—T—
MEADOW	
ESCARPMENT	.....
RIVER	~~~~~
FENCE	—x—x—x—
WOODED OR HIGH BUILDINGS AREAS PENETRATING PLANE SURFACE	⌘ ⌘ ⌘
TERRAIN PENETRATING PLANE SURFACE	⌘ ⌘ ⌘
TERRAIN CONTOUR	—560—

AMENDMENT RECORD		
No	DATE	ENTERED BY